

The durability and versatility to

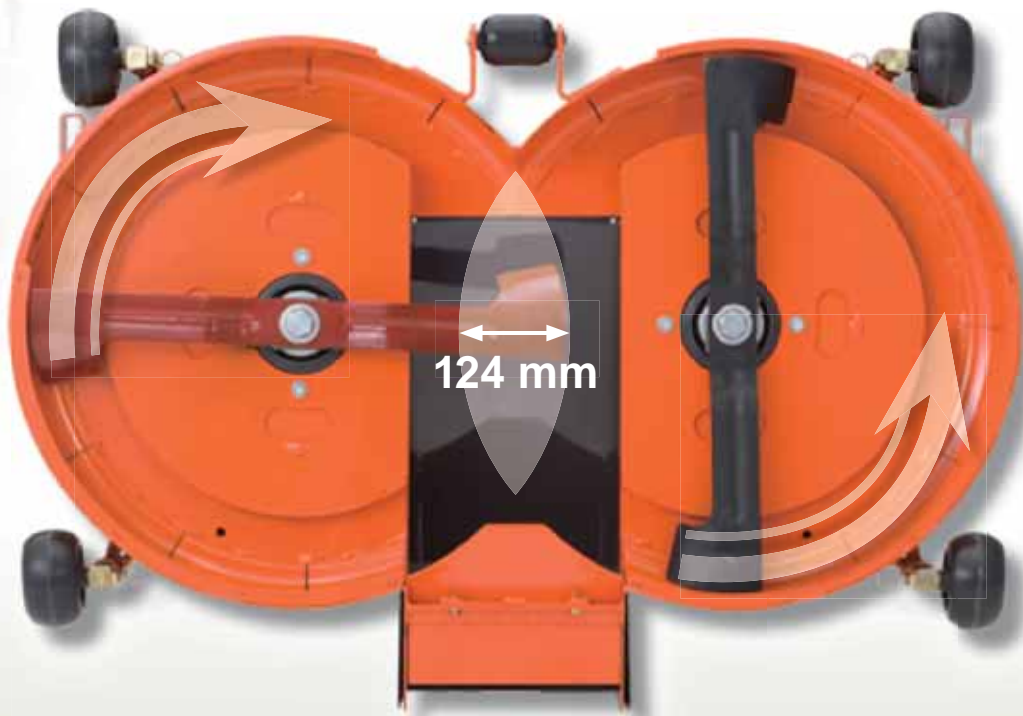


Low Dump model

High Dump model

do it all and do it right.

A professional never settles for less. The Kubota G23-II/G26-II are nothing less than extraordinary. With a powerful Kubota diesel engine, a high-precision gear driven mower deck and the highest dump clearance in its class, the new G-Series is ready for anything.



The gear system offers exceptional durability even under harsh conditions.

Gear Driven Twin Cut Mower Deck

Precision engineering is what makes the new G-series a cut above. Instead of utilising belts, synchronised twin blades are powered by a durable and precise gear drive system. This allows the path of the blades to overlap by 124 mm without the risk of clashing. With closer positioned blades, you get a cleaner, closer cut the first time, every time.

Mowing Height Adjustment Dial

A simple twist of the dial is all that's required to adjust the mowing height to your desired cutting level. The dial allows you to make adjustments at ¼ inch intervals for precise results.

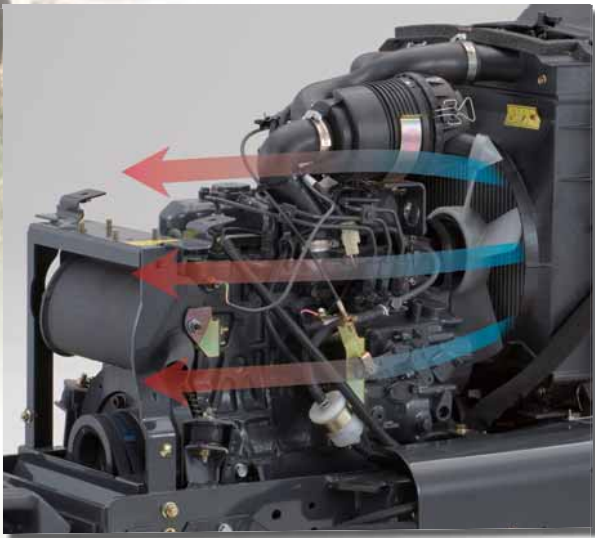


do it all and do it right.

With a robust 3-cylinder diesel engine, impressive manoeuvrability and durability features to keep you rolling, you'll enjoy increased productivity. Get more out of your workday.

Powerful Engine

Powered by 23.3 HP (G23-II) and 25.5 HP (G26-II) diesel engines, these Kubota mowers have been engineered to perform faster and better. With more muscle for the job, you can even power through tall or wet grass on slopes with ease.



High Top Speed

The powerful engine and transmission of the G23-II and G26-II allow you to operate at a top speed of 15.5 km and 17 km respectively. As a result, travel time from job to job is reduced.



Minimal Turning Radius

When it comes to agility, Kubota never cuts corners. The G-series can easily get around narrow corners, make sharp turns and efficiently cut grass in the tightest areas.



HST Pedal

When frequent changes in speed and direction are needed, HST responds with its smooth operating, single pedal control – which leaves your hands free for steering and implement control.





Iron-cast Front Axle

We have equipped these top performers with a robust iron-cast front axle built to last. So you're free to take on heavy mowing jobs with minimal fuss or wear and tear.

Wet PTO Clutch (G26-II only)*

A durable wet-type PTO clutch allows your mower to work longer, but not harder. That's because it engages smoothly with maximum efficiency and reduced shock. This amounts to smoother operation and less maintenance.

* Belt tension clutch for G23-II

Wet Disc Brakes

With our light-step, wet-type disc brake, you'll stop quickly and effortlessly. Plus, its durability means no drop in performance due to wear.

Differential Lock System

Getting bogged down in mud or wet grass will no longer slow you down. Simply engage the differential lock system to achieve positive traction – and you're up and out, and back on the job.

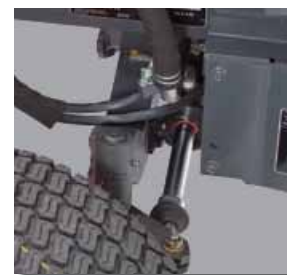


Comfort and functionality come

The G-series lets you take on tough jobs with ease. The spacious operating area and hi-tech functions bring comfort to even a long day's work.

Hydrostatic Power Steering

Hydrostatic power steering reduces operator fatigue and makes it easier to mow around trees and other obstacles.



High Ground Clearance with and without the Mower

With a comfortable minimum ground clearance of 230 mm with the mower deck removed, and 150 mm when raised, the G-series makes getting over rocks and other small obstacles in your path easier.

Easy to Read Meter Panel

A new control panel design enhances operability by placing all vital indicators on a single, easy to read panel. The new panel features a tachometer on the left and an LCD display for fuel level and coolant temperature on the right. Warning indicators for battery, headlights, turn signal and low fuel are in the middle. With just a single glance, you get a complete picture of your tractor's functions.



Cruise Control

For a comfortable mowing experience of large spaces, set the cruise control to maintain a constant speed without keeping your foot on the forward pedal.



hand-in-hand.

Reverse Air Flow

On the G23-II/G26-II, the radiator is located in the middle of the tractor rather than at the front. Air is taken in from the operator area and pushed towards the front through the radiator. This reduces overheating, keeps grass from clogging the radiator grille, and prevents hot air from blowing on the operator.



Easy Access and Roomy Flat Floor

Wider steps make getting on and off the mower easier. The wide floor space provides ample foot room and the spacious operator area brings added comfort to the job.

Big Fuel Tank Capacity

A large 20-litre fuel tank not only keeps you working longer between fuel stops, it also reduces the number of refuelling stops needed to complete long jobs.

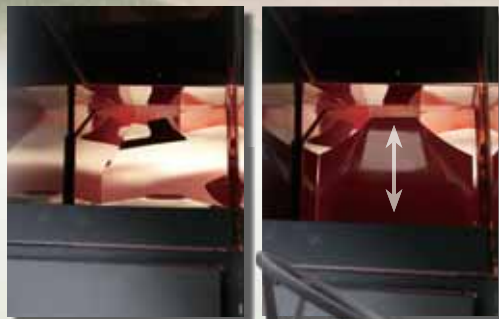
Built for tough tasks. Designed

Heavy-duty jobs don't have to weigh you down. That's because we've included lots of intuitive and thoughtful features to make these Kubota mowers a real pleasure to operate.

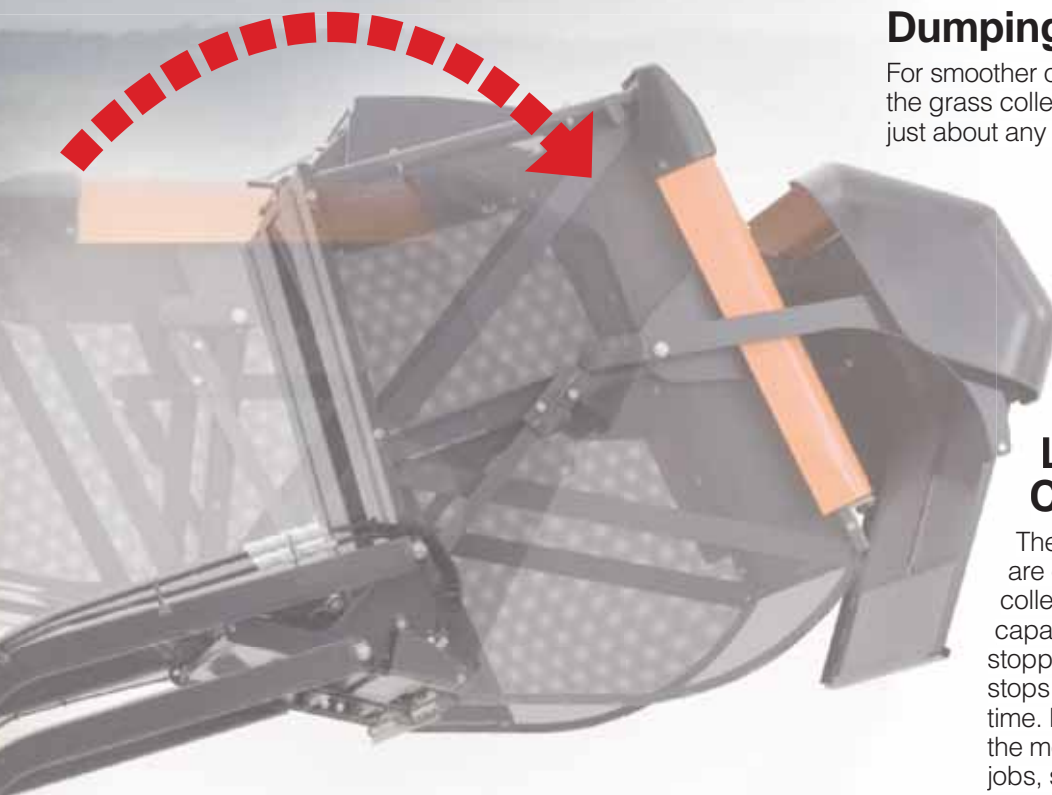


Jump Plate

A simple lever operation rotates the jump plate to clear accumulated grass into the grass collector to prevent a build up of grass in the mower duct.



for easy handling.



Dumping Capability

For smoother operation and added convenience, the grass collector can be tilted for dumping at just about any angle and height.

Large Capacity Grass Collector (detachable)

The Low Dump/High Dump models are equipped with 560 L/640 L grass collectors respectively. These generous capacities allow you to work longer without stopping to dispose of clippings. Fewer stops translate into more productive working time. Because the collector is detachable*, the mower can also be tasked with other jobs, such as towing a trailer (up to 229kg).

* Optional dismount kit is required for High Dump model



21° Angle Of Departure

A generous 21° angle of departure makes it easier to load the unit onto trailers without removing the Grass Collector. Also, this allows to mow near raised obstacles and ascend steeper inclines.



Discharge Duct with Sensor

The G23-II and G26-II come equipped with an adjustable sensor at the discharge duct that sounds an alarm when the grass collector is full and ready to be emptied thus preventing clogging.



Specifications

Model		G23-II	G26-II
Engine			
Model		Kubota D902	Kubota D1005
Type		Water-cooled diesel (3 cyl.)	
Max. horsepower	HP	23.3	25.5
Total displacement	cc	898	1001
Rated speed	rpm	3200	
Fuel tank capacity	ℓ	20	
Transmission		Hydrostatic transmission	
Type		Hydrostatic transmission	
Max. travel speed (Forward)	km/h	15.5	17.0
Differential lock		Standard	
Cruise control		Standard	
Speed control		F/R 1 pedal	
Tyre			
Front		16 x 7.5-8 turf	
Rear		24 x 12-12 turf	
Brake		Wet discs	
Steering		Hydrostatic power	
Type		Hydrostatic power	
Uncut diameter	m	1.55	1.7
Dimension			
Tread (F/R)	mm	900 / 840	
Wheel base	mm	1390	1460
Overall length (HD/LD w/o front weight bracket)	mm	3165 / 2985	3220 / 3040
Overall width	mm	1150	
Overall height (including G/C) (HD / LD)	mm	1600 / 1350 (steering)	
Weight (w/ mower and G/C) (HD / LD)	kg	920 / 720	980 / 780
Ground clearance (w/o mower)	mm	230	
Mower mounting		Gear drive	
Type		Gear drive	
PTO revolution		2614	
Clutch		Belt tension	Wet, hydraulic
Others			
Water temperature gauge		Standard	
Overheating Alarm		Standard	
Fuel gauge		Standard	
Hour meter / Tachometer		Standard	
Easy checker		Standard	

Mower specifications

Model		RCK48-G23-II	RCK54-G26-II
Cutting width	inch (cm)	48 (122)	54 (137)
Mower drive method		Gear drive	
Mower lifting method		Hydraulic	
Mower lifting height	mm	150	
Cutting height	inch	1.0 – 4.0	
Cutting height adjustment		Dial (1/4")	
Number of blades		2	
Blades length	mm	673	748
G/C			
Capacity (HD / LD)	ℓ	640 / 560	
Dumping height (HD)	mm	1930	
Sensor for G/C		Weight sensing	
Material of G/C bag (HD / LD)		Metal / Cloth	

The company reserves the right to change the specifications without notice. This brochure is for descriptive use only.

©2013 Kubota Corporation



KUBOTA (U.K.) LIMITED

Dormer Road Thame, Oxfordshire, OX9 3UN.
Phone Thame (01844) 214500 Fax (01844) 216685
E-mail: sales@kubota.co.uk

Web site: <http://www.kubota.co.uk>