

A large yellow bulldozer blade is shown in a construction site, positioned over a pile of brown earth. The blade is the central focus, with the brand name 'Zegeleman' printed on it in a stylized, bold, yellow font with a black outline. The background consists of a clear blue sky with light, wispy clouds and a rugged, brown earth mound.

**Zegeleman**

**BULLDOOZER  
BLADES**



**МОСТ-ТЕХНИКА**

**ЭФФЕКТИВНЫЕ ТРАКТОРНЫЕ ТЕХНОЛОГИИ!**





Robust Details.  
Legendary Performance.  
Unprecedented Customer Service.



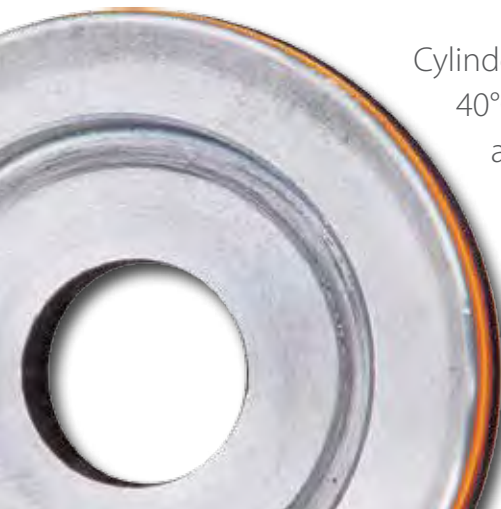


Since 1962, Degelman Industries has pioneered the perfect balance of engineered toughness and intelligent design. The result is outstanding equipment that exceeds expectations and outperforms. We achieve this through meticulous design and vigilant customer service. Every day, the designers in our state-of-the-art research and development facility work tirelessly to provide mounting solutions to fit the ever-growing population of tractor models and manufacturers—more than 450 models and counting. If it has our name on it, we expect nothing short of optimal performance.





Superior Cylinders.  
We Manufacture Our Own.



Cylinders take a lot of extreme use—high pressure, close to the ground, minus 40°C weather, dirt, gravel, snow or ice. Top-end quality and solid cylinders are at the heart of our dozer blades. The only way we knew how to make them as durable as possible was to build them ourselves. Our cylinders aren't off-the-shelf tie-rod cylinders. We manufacture our own to industrial-strength standards at our state-of-the-art manufacturing facility. This way we know each one of them is flawless and can tailor them to each blade model for optimum performance. We don't believe in "one size fits all" thinking.

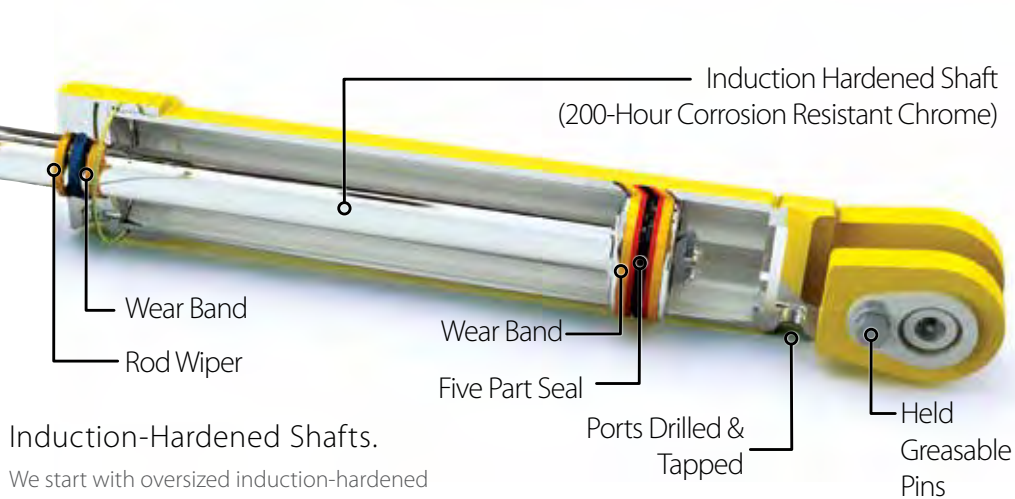


### Twice The Salt Resistance.

In standardized testing, Degelman cylinders boast twice the salt spray rating of ordinary hydraulic cylinders. So, our cylinders last longer and can withstand corrosion better. Just more confirmation that our cylinders are up to the high standards we set for all Degelman products and parts.

### 200-Hour Corrosion Resistant Chrome.

If chrome rusts, it gets pitted and can tear the seals. To increase the lifespan of our cylinders, we choose the best induction chrome shafting available. It's the highest rated and rust resistant chrome available in the industry.



### Induction-Hardened Shafts.

We start with oversized induction-hardened chrome shafting for strength. It's a premium shaft that has the hardest surface possible to resist nicks, without being brittle. This allows the shaft to be tough, but flexible enough to bend without breaking. As a result, our cylinders last longer and can handle tougher loads for angling, tilting and lifting.

### Different Strokes.

We designed our cylinders for maximum stroke to reduce the number of passes across the shaft during normal operation. Because the longer the stroke, the less wear and tear there is on the shaft, the barrel and pins. And because the cylinder is integral to the performance of the entire system, having it last as long as possible is critical.

### Heat-Treated Bushings.

We use heat-treated spring bushings pressed right into the lugs of our dozer blades. These bushings take an incredible amount of pressure from the hydraulic system. Made from heat-treated steel, the bushings and lugs last longer and can take a lot more pressure. It also significantly reduces egging around the hole and maintains the efficiency and integrity of the entire system.

### Industrial-Locked Pins.

Ok, let's talk pins. Pins are the number one contact point for cylinders. If the pin in the cylinder has any play at all it can cause wear and tear and big problems. So on our Degelman blades we took industrial-strength thinking and applied it to our pins. We hold our pins in place with a high-carbon steel flange – instead of hair or cotter pins—so the pin can't move. This leaves the cylinder to move freely around the pin and it prevents the pin from wearing out.

### Grease Gun Ready.

All these pins are easily accessible by a grease gun, so they're easy to maintain and grease can easily be applied to the high-pressure areas that need it. It's all part of our philosophy to build equipment right, which means to make sure it lasts as long as possible. When you buy a Degelman, you know you're buying quality.

### Drilled & Tapped, Not Welded.

Welding the ports on a cylinder can cause the barrel itself to warp. So, we drill and tap all our ports to maintain the integrity of the cylinder barrel and to make them strong as possible. It reduces wear and increases the longevity of the cylinder. A small detail, we know, but an important one.

### Superior Seals.

Our five-part industrial seal package and wear band system means zero metal-to-metal contact for increased longevity. The seal package also includes a surge protector seal made from high grade polymers—so if there's a spike in hydraulic pressure, oil won't go past the piston. And the rod wiper seals are top-of-the-line components that clear away ice, debris and snow.

### High Grade Wear Bands.

We build wear bands into our cylinder system made out of a special high-grade wear material that eliminates scoring on the shaft and cylinder wall during high side loads. Without high-grade wear bands, the cylinders get scratched and become ineffective. The addition of wear bands to our cylinders means increased durability and better performance under maximum side loads.

### Solid Steel Ends.

We also manufacture the cylinder ends—where the cylinders take the most punishment—out of solid steel versus cast iron. We do it because steel is stronger and creates a premium weld surface. Ends are plasma cut on a computerized machine where they are milled, drilled and tapped to precision.





# 300-600 HP



## 7900 Series Lift Even Higher.

The Degelman 7900 was developed specifically for producers moving silage, haylage and tackling the toughest snow removal jobs out there. Fully compatible with high horsepower four-wheel drive tractors, the 7900 has 40" lift and 6-way angling capabilities with full strength at all angles. That means whether you're at any angle you get the same industrial-sized strength that Degelman is known for.

## Move More Silage, Faster.

When you're working with silage, under-frame clearance is important. That's why at Degelman, our mounting system allows for extra under frame clearance. So you can pack and push more silage faster without getting hung up. We also make sure our mounting hardware gives you a smooth, clean underbelly to minimize dragging silage back. Add a two foot perforated silage extension, and you'll move more silage than ever.

## Best Snow Removal Angle Ever.

From our field testing, a 30° angle runs off the blade the best. That's why we made sure the 7900 can hit and hold 30° with optimal strength. This means faster and more efficient snow removal for any job out there.



## Six-Way Blade Agility.

When your blade can do more...you can do more. Tilt. Angle. Lift. You name it. That's why the Degelman 7900 hydraulic system is designed for optimal blade angles and usage. Because we know your blade needs to take on all the jobs you tackle every day, not just some of them.

## Pure Power. At Your Fingertips.

The 7900's controls give you the power and agility of angling control at your fingertips. There's no need to ever get out of your cab—ever. You can angle the blade from 0° to 30°, lift up and down and tilt how you like, quickly and easily; The control stays where it belongs— with you.

## Durable Ar400 Skid Shoes.

Meet wear and tear head on. Our adjustable skid shoes are made with AR400 plate to give them a longer life with eight times the abrasion resistance of regular steel. We also precision designed them so you can easily ratchet them down by infinite intervals whether you're levelling a gravel yard... or compensating for slight wear on the blade, a Degelman first. Because more precision equals more blade control. These skid shoes are spoon-shaped for effective operation, turning and to reduce the chance of digging in. They are also reversible so when wear appears, you can easily rotate them.

## Tilt Away.

The fingertip-controlled tilt capabilities of the 7900 give you the option to tilt the blade up to 10°. So you can groom roads, put a ridgeline in for drainage...you name it. And, because of our industrial-strength cylinders and heavy-duty design, you can doze with confidence knowing that our blade system can do the job, and then some.



In the spirit of safety and simplicity, Degelman has pushed the design process one more time by coming

up with the all new HQT-Hydraulic Quick Tach System. This precision built feature utilizes a hydraulic pin engagement concept which allows the operator to secure the blade to the Dozer mounting framework from the tractor seat. It avoids the dangers, awkwardness and hassles of crawling around the tractor to secure the dozer engagement.

Just one more example of how Degelman pushes design to make things a little safer, more convenient and last longer.



## Features & Specifications

Tractor Horsepower Range	300-600 HP
Tractor Type	4WD
Blade Widths Available	12', 14', 16', 18', 20'
Blade Weight	2890 - 4620 lbs.
Blade Height	47"
Blade Height (silage extension)	71"
Lifting Height (approximate)	40" (approx)
Lift Cylinders	3 1/2" Dia.
Hydraulic Angle	30°
Angle Cylinders	4" Dia.
Hydraulic Vertical Tilt	10°
Tilt Cylinders	4" Dia.
Cutting Edge (MaxTemp® Steel)	3/4" x 8"
Digging Depth	14" to 17"
Skid Shoes (abrasion resistant)	Infinite Adjustment
Mounting System	HQT
Mounting Location	Front-4WD Mount
Mouldboard (ripple formed blade)	1/4"





# 200-500 HP



## 6600 6900 7200 Series Blades Choose Your Weapon.

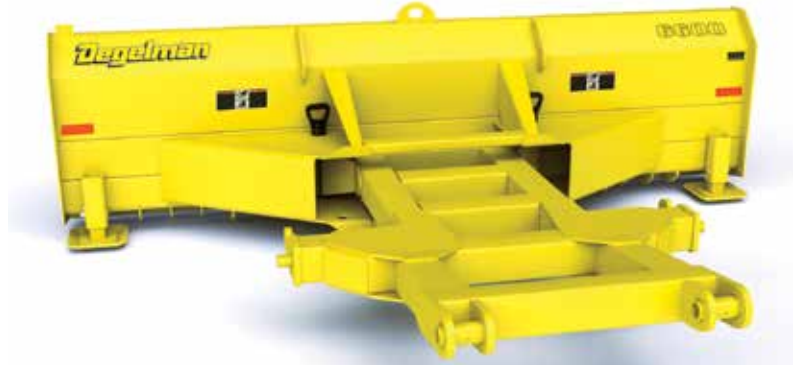
They are tough. We have manufactured literally thousands of these blades and most are still pushing. If you want a proven blade for your high-horsepower, 4WD tractor, this is where your search ends. We have an arsenal of tilt, lift and hydraulic or manual angle options available, so you can choose what's best for the jobs you do every day.

Regardless of what you select, each of these blades are backed by the Degelman quality standards we set for all our blades—from our industrial-strength cylinders that we manufacture ourselves...to the double-skin construction of the blades for extra toughness. Whatever choice you make, it's a clear quality winner.





6600 Series  
Hydraulic Lift  
Manual Angle



6900 Series  
Hydraulic Lift  
Hydraulic Angle

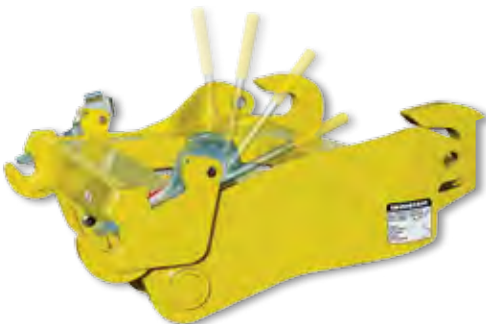


7200 Series  
Hydraulic Lift  
Hydraulic Tilt  
Hydraulic Angle



### D-Lock. One Person, No Tools

Whether it's for storage, transportation or hooking up another implement to your tractor, we design our blades so mounting is a one-person, tool-less operation that can be done in minutes.



### Features & Specifications

Tractor Horsepower Range	200-500 HP
Tractor Type	4WD
Blade Widths Available	12', 14', 16'
Blade Weight	3365-5055 lbs.
Blade Height	38"
Blade Height (top extension)	45"
Lifting Height (approximate)	25"
Lift Cylinders	3" (or 3 1/2") x 16"
Hydraulic Angle	18° (6600-manual angle)
Angle Cylinders	4" x 25 1/2"
Hydraulic Vertical Tilt	13° (7200 Model)
Tilt Cylinders	4" x 8" (7200 Model)
Cutting Edge (MaxTemp® Steel)	5/8" x 6"
Digging Depth	8" to 12"
Skid Shoes (abrasion resistant)	Standard
Mounting System - D-lock®	D-lock® Quick-Tach
Mounting Location	Front-4WD Mount
Mouldboard (ripple formed blade)	3/16"





## 5900 Series Blades 2Wd Blade With 6-Way Hydraulics.

If you're running a modern two-wheel drive or a front-wheel-assisted tractor, we've got an industrial-strength blade made just for you. The 5900 comes out of the gate with 0° to 24° all-angle capabilities, 9° tilt and 28" hydraulic lift. In addition, the 5900 has a high clearance profile, D-lock® mid-mounting and industrial-strength AR400 skid shoes. Add to that, all the features that are Degelman standards—such as double-skin blade construction, Degelman-manufactured cylinders and the toughest testing around—and you've got one robust blade.





The 5900 Series has all the features such as tilt, higher blade profile, D-lock® mid-mounting, and industrial skid shoes. Compatible with all 2WD and front-wheel-assisted tractors

## Features & Specifications

Tractor Horsepower Range	125-325 HP
Tractor Type	2WD & FWA
Blade Widths Available	10', 12', 14'
Blade Weight	3390-3660 lbs.
Blade Height	36"
Blade Height (top extension)	43"
Lifting Height (approximate)	23"
Lift Cylinders	3 1/2" x 8"
Hydraulic Angle	24°
Angle Cylinders	3" x 20"
Hydraulic Vertical Tilt	9°
Tilt Cylinders	3" x 8"
Cutting Edge (MaxTemp® Steel)	5/8" x 6"
Digging Depth	10" to 14"
Skid Shoes (abrasion resistant)	Standard
Mounting System - D-lock®	D-lock® Quick-Tach
Mounting Location	Mid-mount
Mouldboard (ripple formed blade)	3/16"







## 4600 5700 Series Blades 2Wd And Fwa.

If you're driving a 2WD or front-wheel-assisted tractor that's between 65 and 275 HP, you've got some solid blade choices. The Degelman 4600 and 5700 Blades give you the industrial strength design backed by the Degelman name, along with standard features such as two-way hydraulic angling, hydraulic lifting and weight brackets integrated right into the mounting hardware—so you never have to take weight brackets off again.



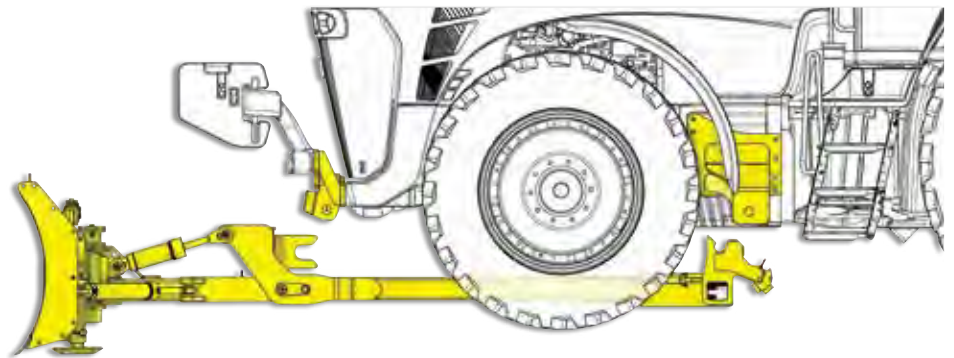
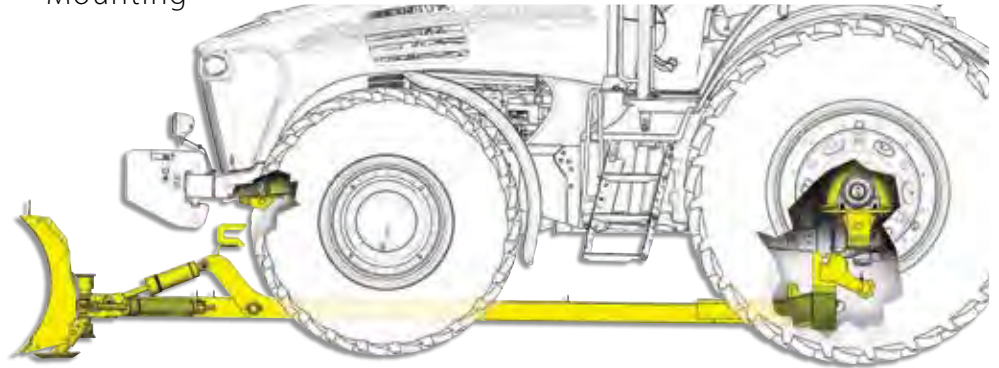


## Exceptional Standard Features

The 5700 and 4600 come with the following tough features:

- Compatible with all 2WD, front-wheel-assist tractors and wheel loaders.
- 18° two-way hydraulic angling on 2WD and front-wheel-assisted tractors.
  - 30° two-way hydraulic angling on wheel loaders.
  - 23" hydraulic lifting height.
- Attaches in minutes with D-lock® Quick-Tach.
- Unique mounting design.
- No welding: minimal bolt-on brackets only.
- Integrated front weight bracket.
- Double-skin blade construction.
- Degelman industrial-strength cylinders.
- Reversible, adjustable AR400 skid shoes.
- Rippled-formed blade.

## Mounting



## Features & Specifications

Tractor Horsepower Range	65-275 HP
Tractor Type	2WD & FWA
Blade Widths Available	9', 10', 12', 14'
Blade Weight	2050-2950 lbs.
Blade Height	33"
Blade Height (top extension)	40"
Lifting Height (approximate)	23"
Lift Cylinders	3 1/2" x 8"
Hydraulic Angle	18° / 30°
Angle Cylinders	3" x 16"
Hydraulic Vertical Tilt	n/a
Tilt Cylinders	n/a
Cutting Edge (MaxTemp® Steel)	5/8" x 6"
Digging Depth	6" to 10"
Skid Shoes (abrasion resistant)	Standard
Mounting System - D-lock®	D-lock® Quick-Tach
Mounting Location	Rear Axle/Mid-mount
Mouldboard (ripple formed blade)	3/16"





## 3500 Series Blades The Best Blade In The Category.

The 3500 series blade by Degelman is the best blade you can get for the 40 -100 horsepower range. We can say with confidence that this the most rugged blade you'll find in this category. Designed for 40-100 horsepower 2WD tractors, skid steers, front-end-loaders and most front-wheel-assisted tractors, the 3500 series gives you the robust blade design Degelman is known for in a compact blade. Benefit from 0° to 18° two-way hydraulic angling that allows you to choose any angle you want; our tool-less D-lock® Quick-Tach mounting system so one person can attach/detach the blade in minutes; double-skin construction and AR400 reversible skid shoes.





## 3500 Series

Designed For 40-100 Hp Tractors



Designed to mount on popular utility tractors, the 3500 blade is a smaller version of the 4600 and 5700 series.

## Mighty Standard Features

The 3500 includes the following robust features:

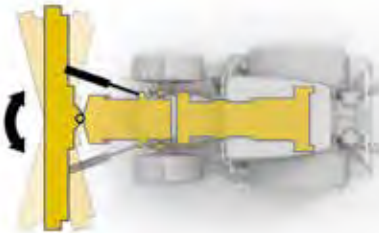
- Compatible with all 2WD tractors, skid steer loaders, front-end-loaders and front-wheel-assisted tractors.
- 18° two-way hydraulic angling on 2WD and front-wheel-assisted tractors.
- 30° two-way hydraulic angling on skid steers and front-end-loaders.
- Attaches in minutes with D-lock® Quick Tach.
- One-person tool-less attaching/detaching.
- Unique mounting design.
- No welding: minimal bolt-on brackets.
- Integrated front weight bracket.
- Double-skin blade construction.
- Degelman industrial-strength cylinders.
- Reversible, adjustable AR400 skid shoes.
- Rippled-formed blade.

## Ranges Of Motion

### 1 - Hydraulic Lift



### 2 - Hydraulic Angle



## Features & Specifications

Tractor Horsepower Range	40-100 HP
Tractor Type	2WD & FWA
Blade Widths Available	8', 9', 10', 12'
Blade Weight	1350-1450 lbs.
Blade Height	27"
Blade Height (top extension)	34"
Lifting Height (approximate)	20"
Lift Cylinders	3" x 8"
Hydraulic Angle	18° / 30°
Angle Cylinders	2 1/2" x 16"
Hydraulic Vertical Tilt	n/a
Tilt Cylinders	n/a
Cutting Edge (MaxTemp® Steel)	5/8" x 6"
Digging Depth	6" to 8"
Skid Shoes (abrasion resistant)	Standard
Mounting System - D-lock®	D-lock® Quick-Tach
Mounting Location	Rear Axle
Mouldboard (ripple formed blade)	10 ga.







## Bulldozer Blade Attachments. Tough Choices.

We design all our bulldozer blades to be modular because sometimes our customers buy a blade for one reason and then add an attachment to make it perform even more. It's all part of our thinking that our dozer blades should be as upgradable as they are strong.

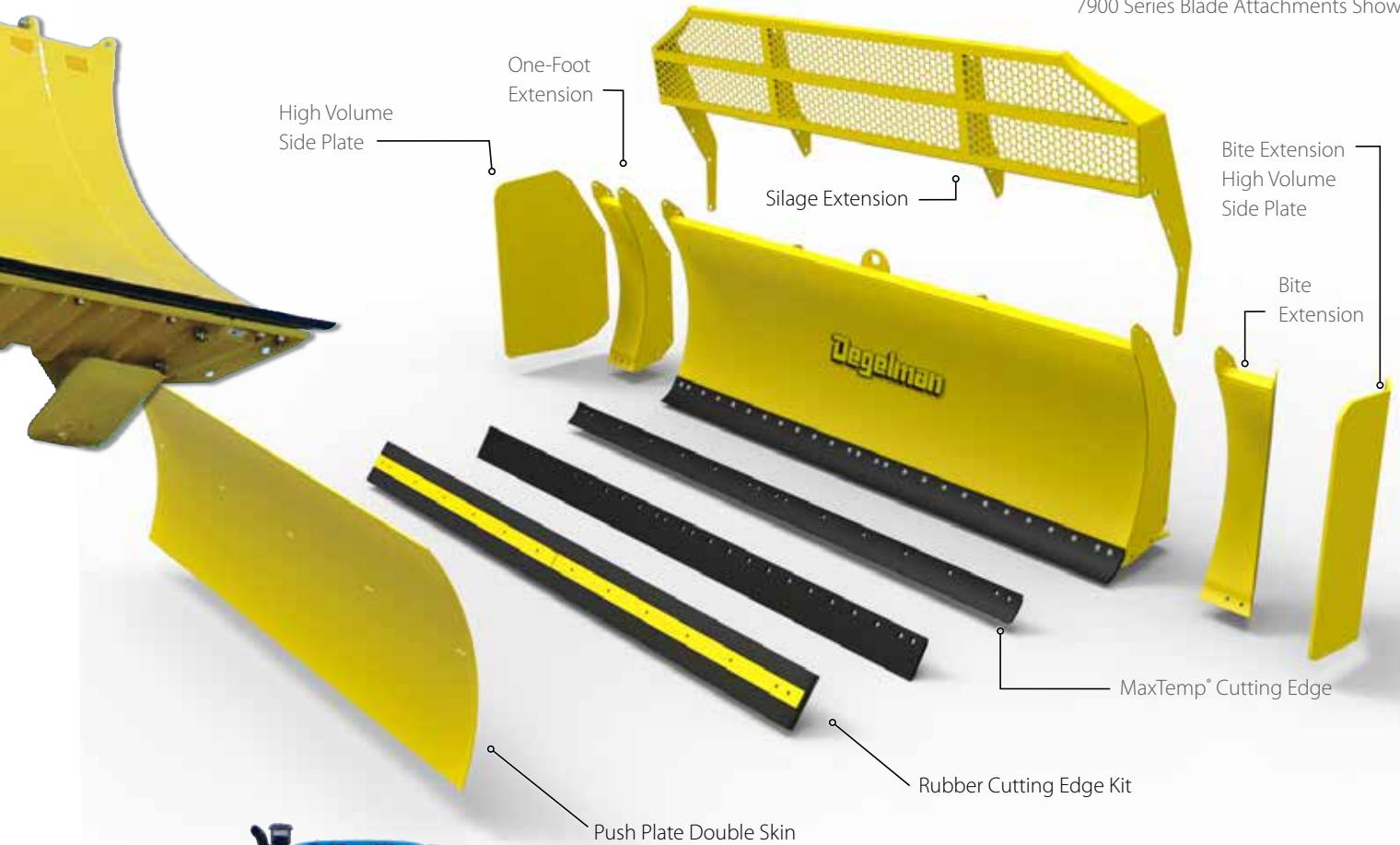
### Features & Specifications

Dozer Series	3500	4600/5700	5900	66/69/7200	7900
Tractor Horsepower Range	40-100 HP	65-275 HP	125-325 HP	200-500 HP	300-600 HP
Tractor Type	2WD & FWA	2WD & FWA	2WD & FWA	4WD	4WD
Blade Widths Available	8', 9', 10', 12'	9', 10', 12', 14'	10', 12', 14'	12', 14', 16'	12', 14', 16', 18', 20'
Blade Weight	1350-1450 lbs.	2050-2950 lbs.	3390-3660 lbs.	3365-5055 lbs.	5165-7650 lbs.
Blade Height (standard)	27"	33"	36"	38"	47"
Blade Height (with top extension)	34"	40"	43"	45"	-
Blade Height (with silage extension)	47"	57"	60"	62"	71"
Lifting Height (approximate)	20"	23"	23"	25"	40"
Lift Cylinders	3" x 8"	3 1/2" x 8"	3 1/2" x 8"	3" (or 3 1/2") x 16"	3 1/2" Dia.
Hydraulic Angle	18° / 30°	18° / 30°	24°	18° (6600-manual angle)	24° - 30°
Angle Cylinders	2 1/2" x 16"	3" x 16"	3" x 20"	4" x 25 1/2"	4" Dia.
Hydraulic Vertical Tilt	n/a	n/a	15°	13° (7200 model only)	10°
Tilt Cylinders	n/a	n/a	3" x 8"	4" x 8" (7200)	3 1/2" Dia.
Cutting Edge (MaxTemp® Steel)	5/8" x 6"	5/8" x 6"	5/8" x 6"	5/8" x 6"	3/4" x 8"
Digging Depth	6" to 8"	6" to 10"	10" to 14"	8" to 12"	14" to 17"
Skid Shoes (abrasion resistant)	Standard Adjustment	Standard Adjustment	Standard Adjustment	Standard Adjustment	Variable Adjustment
Mounting System	D-lock® Quick-Tach	D-lock® Quick-Tach	HQT	HQT	HQT
Mounting Location	Rear Axle	Rear Axle/Mid-mount	Mid-mount	Front-4WD Mount	Front-4WD Mount
Mouldboard (ripple formed blade)	10 ga.	3/16"	3/16"	3/16"	1/4"



## Blade Attachments

7900 Series Blade Attachments Shown



### One-Foot Extension

If you want a bigger blade, or if you add dual wheels to your tractor and want extensions as wide as your wheelbase, our One-Foot Extensions are the answer. Easy to add and as strong as the blade they're attached to.

### Rubber Cutting Edge

Designed to be used either for slurry barns or for snow removal. The Rubber Cutting Edge essentially squeegees barn floors easily for maximum material pick-up. And for snow removal usage, the rubber edge means you can doze without fear of tripping on manhole covers.

### High Volume Side Plate

Whatever degree your blade is angled at, adding a High Volume Side Plate means you can dramatically improve the amount of volume you can push. It also decreases the amount of snow trailing off your blade so you move more snow with fewer passes.

### Top Extension

Top extension attachments are designed to maximize pushing capacity by preventing spillover.

### Max Temp® Steel

MaxTemp steel is the same steel that's used in industrial bulldozer blades. It's made from hardened high carbon steel that's strong and durable without being brittle. Made for dozing dirt, levelling roadways, gravel or snow.

### Bite Extension

Similar to our One-Foot Extension, our Bite Extension allows you to doze along curbs, foundations or silage container bunks and scrape material off without leaving a trail.



### Quick-Connect Coupler Option.

For added convenience, this optional quick-connect hydraulic coupler helps attach-detach the blade with even greater ease.

### Silage Extension

Our Degelman Silage Extensions are made from heavy-grade steel and are two feet high so you have maximum volume control. They're also see-through for increased safety and efficiency.

### Urethane Cutting Edge

A harder material made for close scraping and removal of compact snow and ice. The Urethane Cutting Edge is a durable polymer that gives you three times the wear resistance of rubber while protecting you from tripping on manhole covers. Available for Strongbox only.



## Loader Mount Blades. Skid Steer, Front-End Loader & Wheel Loader.

Ten minutes or less. One person. Without tools. That's all it takes to hook up your loader to our 3500 or 5700 blade series. We can fit our blades quickly and easily to ANY skid steers, front-end loaders and wheel loaders out there. From double-skin blade construction and AR400 skid shoes for extra toughness, to our Degelman manufactured cylinders that last, your best decision is a Degelman blade.





### Front End Loader Mounting.

Do more with your front-end loader with a blade design that's robust from the start. That's where our blade designers begin. The Degelman front-end loader mount is made so you have as many options for light-duty jobs as possible alongside powerful hydraulic cylinders that can manage up to 30° angling in either direction. In addition, the mounting system is manufactured with a flat back to allow the installation of mounting brackets specific to your loader. So you know the blade will fit like a glove.



### Wheel Loader Mounting.

The three biggest reasons to put a Degelman on your wheel loader: 1. The most robust blade in the industry; 2. Superior 30° angling; and 3. A flat universal blade back. When you're putting a Degelman 5700 blade on, you're putting the toughest blade possible on your wheel loader. You can choose any angle from 0° to 30° depending on the job. And with a flat back you can weld your own lugs especially designed for your loader to put our blade on.



### Skid Steer Mounting.

We fit them all. We designed our new skid steer pivot frame with a universal mounting system so no matter what brand of skid steer loader you have you can achieve quick attachment in minutes, without tools by one person. That's in addition to being able to enjoy a mounting system capable of up to 30° angling in either direction with our industrial-strength cylinders.

### Mounting Features.

Our mounts allow for one-person, tool-less quick attachment to Degelman's 3500 and 5700 series bulldozer blades. These blades are double-walled, non-ribbed and built to last. Depending on what projects you decide to tackle, we've got several blade and width choices:

#### Tractor Blade Width

F.E.L.	3500 Series	8', 9', 10', 12'
Skid Steers	3500 Series	8', 9', 10', 12'
Wheel Loaders	5700 Series	9', 10', 12', 14'

Features include a ripple-formed mouldboard that keeps material from sticking, adjustable and reversible skid shoes made from AR400 steel—which is eight times the strength of regular steel—a Max Temp® steel cutting edge for extra durability and industrial-strength quality hydraulic cylinders we manufacture ourselves.





## ***speedblade***

Five Times Faster Than A Bucket.

Speedblade® is the perfect snow contractor tool. It's designed so you can hydraulically open the blade to its maximum width for small and large snow drifts or fold the wings in to move and contain high volumes of snow. It's easy to transport—the wings fold so you can put it on a trailer without detaching the blade. It's highly maneuverable—you can get in and out of tight spaces easily. And it's made to move volumes of snow, quickly, easily.





## High Maneuverability.

The Speedblade™ is as maneuverable as your skid steer itself. In fact, you can position the blade small enough to go through spaces only a few inches wider than your skid steer. So whether it's big parking lots, sidewalks or industrial yards, you can change the width on the fly depending on the job and dart around the site quickly and easily. Available in 15' & 18' widths.

## Control The Snow Better.

When a regular straight blade or bucket plows heavy drifts, the snow trails easily off the sides and you have to do more passes. With the Degelman Speedblade™, you can hydraulically move the blades into a U position so you can cup, contain and direct the snow even in tight spots. This way you can move a higher volume of snow with less passes and trail-off. Plus, you can easily pile the snow as high as your machine can reach.



## Push More Of Everything.

Imagine your next blade having the ability to position the wings where you need them while providing extreme blade height and under tractor clearance.



## Transport Without Detaching.

When you move to another job, you don't need to detach the Speedblade™ to load your skid steer on your trailer. The Speedblade™ is designed so all you have to do is fold back its wings to load it. This way, there's little to no downtime and you can fit in more jobs in a shorter amount of time.



## Features & Specifications

Wings Straight:	15'	18'
Wings Forward:	8'4"	8'6"
Wings Back:	12'5"	14'2"
Blade Height:	37-1/2"	
Blade Weight:	(approximate)	
15'-1550 lbs	18'-1700 lbs	
Wing Angle:	83° forward	
	56° back	
Wing Tilt:	7° (3.5° both sides)	
Cutting Edges:	3/4" Steel	
Mounting Systems:	Universal Skid Steer Mount	
	3-Point Mount	
	Flat Back Mount for Loaders	







## **STRONGBOX<sup>®</sup>**

Simple. Strong. Effective.

This box blade is a simple, strong and effective tool for high volume snow removal and is so unique it has four patents behind the name.

Strongbox<sup>®</sup> is quickly and easily adaptable to all payloaders, backhoes, skid steers and most Ag tractors. No matter what you use to push snow, we guarantee a quality, secure fit-up.



## Patented Cone Gusset Side Plates.

The unique design of the cone gusset provides a self-cleaning surface to prevent snow and ice from accumulating while increasing structural support to the side plates.

## Reversible Skid Shoes.

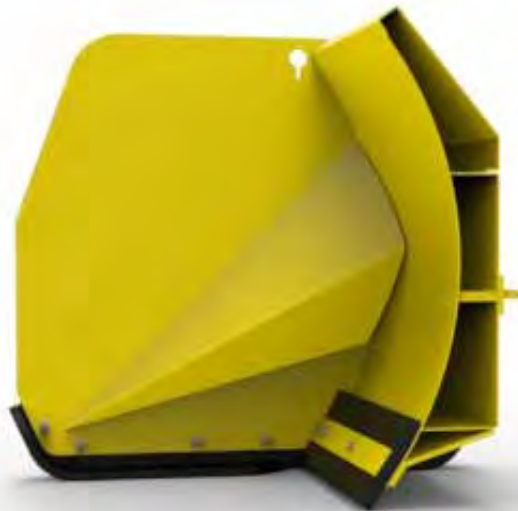
The Strongbox® is equipped with unique skid shoes that mount flush with the side plate, letting you clean closer than ever to walls and curbs. They also allow the rubber edge to clean the full width of the blade with no trail off to slow you down.

## Rubber Cutting Edges.

The Strongbox® features a durable high density rubber cutting edge, which gives it the flexibility to clear snow, slush, ice and water without damaging pavement or road obstacles.

## High Volume Side Plates.

Extra-large side plates let you move more snow, faster. Reinforced with a unique cone gusset, these side plates are designed to endure the wear and tear of snow removal. The cone shape also provides a "self-cleaning" surface to prevent snow and ice from accumulating.



## Double Skin Construction.

To ensure the ultimate in durability, Degelman has integrated its proven double skin dozer blade structure into each Strongbox®. With extra blade depth and internal reinforcement, the Strongbox® provides added structural support where you need it.

## Features & Specifications

38 Series Models	38" Blade Height
Blade Widths Available	8', 10', 12', 14', 16'
Blade Construction (Double Skin)	10 GA (7 GA -14';16')
Blade Weight	1060-2150 lbs.
Side Plate Depth	40"
Rubber Edge (Reversible)	1½" x 10"
Side Plates (Flush/Cone Supported)	3/8"
Skid Shoes (Abrasion Resistant 400)	Reversible/Replaceable
Mounting System	Interchangeable Bolt-On
Tie Down System	Integrated Lug Design



SKID STEER LOADERS



UNIVERSAL SKID MOUNT



AG TRACTORS



DEGELMAN AG MOUNT



BACKHOE/WHEEL LOADERS



UNIVERSAL BUCKET MOUNT



AG FRONT END LOADERS



FLAT CUSTOM WELD MOUNT



WHEEL LOADERS



UNIVERSAL BUCKET MOUNT



AG 3 POINT HITCH



AG 3 POINT MOUNT





www.degelman.com  
1-800-667-3545

 [www.youtube.com/degelmanin](http://www.youtube.com/degelmanin)



Protected by US and CDN patents. Degelman Industries Ltd. is constantly striving to improve its products and reserves the right to change design, material and specifications without notice. ♣ Printed in Canada



**МОСТ-ТЕХНИКА**

Россия. 142850. Московская область. Ступинский район  
п. Малино, ул. Промышленная, владение 8  
Тел. +7 (495) 775 0175, 775 0176 Факс +7 (495) 775 0176  
E-Mail: [info@most-technics.ru](mailto:info@most-technics.ru) [Http: www.most-technics.ru](http://www.most-technics.ru)